

EMCO Thermowell Type TTN with NPT Connection

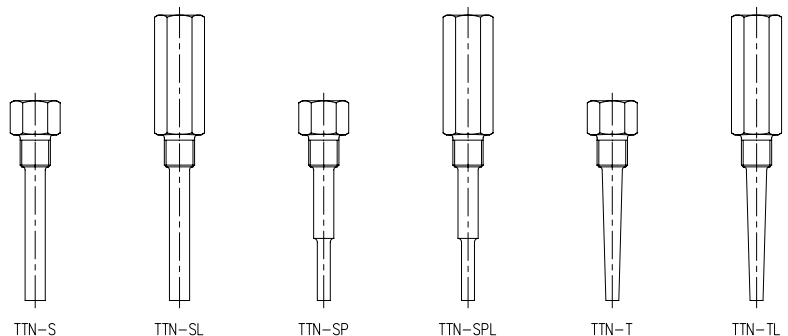
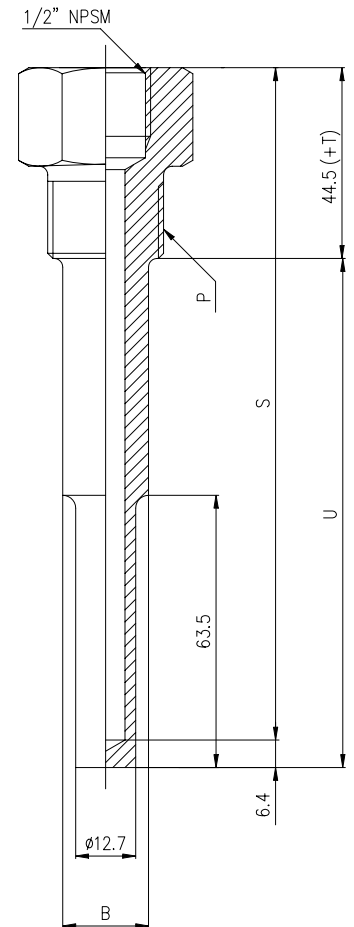
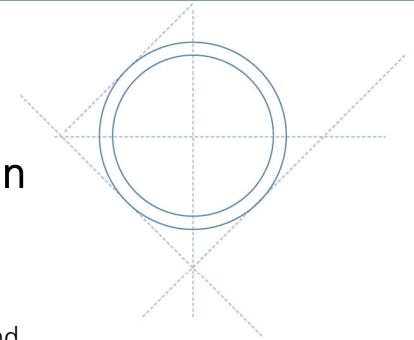
Principle

EMCO thermowell type TTN is used for mechanical and corrosive protection of temperature sensing instruments such as bimetal thermometers, thermocouples, and RTD's with a maximum outer diameter of 6.4 and 9.5 mm (1/4" and 3/8").

Construction

EMCO thermowells type TTN are designed and manufactured according to I.S.A. recommendations.

Material	: AISI 316, Carbon steel, Monel, 254SMO, Titanium, Hastelloy, and other exotic materials on request
Connection (P)	: 3/4", 1" NPT
Pressure rating	: Up to 70 bar (1000 psi)
Insertion length(U)	: 63.5 mm (2.5"), 114.3 mm (4.5"), 190.5 mm (7.5"), 266.7 mm (10.5"), 342.9 mm (13.5"), 419.1 mm (16.5"), 551.3 mm (22.5")
Bore length (S)	: 101.6 mm (4"), 152.4 mm (6"), 228.6 mm (9"), 304.8 mm (12"), 381 mm (15"), 457.2 mm (18"), 609.6 mm (24")
Bore	: 7, 10 mm (0.276", 0.394")
Well form	: Straight, stepped straight, taper
Lagging extension (T)	: 60 mm (2") for insertion length U = 63.5 mm (2.5"), for other insertion lengths: 89 mm (3")
Tip thickness	: 6.4 mm (0.25")
Instrument connection	: 1/2" NPSM
Accessories	: Plug and chain



0-10-004-2e